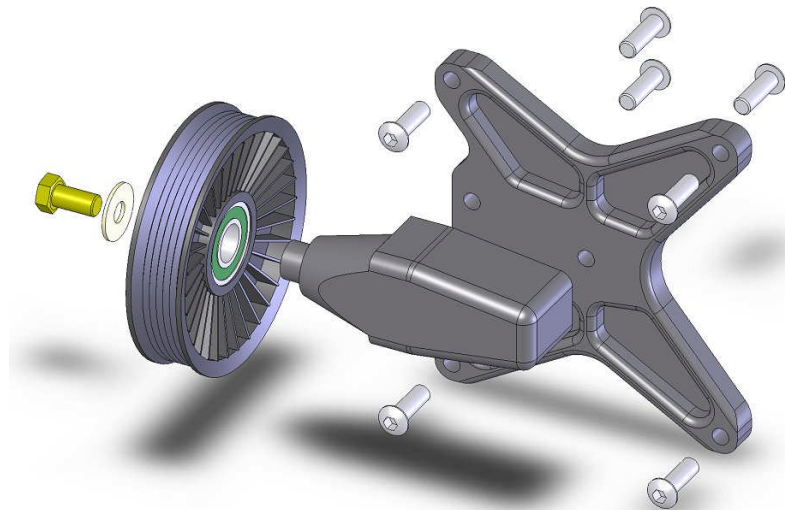




4.ACC341 AC Delete Kit (LT1)

Parts List

- 1-Main Bracket
- 1-Pulley Spindle
- 1-Pulley
- 4-8mm SS Bolts
- 3-5/16" SS Bolts
- 1-3/8 Bolt
- 1-3/8" Flat Washer



1. Remove serpentine belt.
2. Remove refrigerant from AC system as per state and federal laws.
3. Remove factory air conditioning compressor, hoses, tubes, and condenser.
4. Install AC Delete bracket in place of factory AC compressor. We recommend using a thread lock such as Loctite on all bolts.
5. On some cars, a bracket holding the spark plug wires will slip between the AC bracket and the AC Delete bracket. One of the two bolts may have to be omitted.
6. Install the pulley using the 3/8" bolt and washer. Loctite on threads is recommended.
7. Re-install serpentine belt.