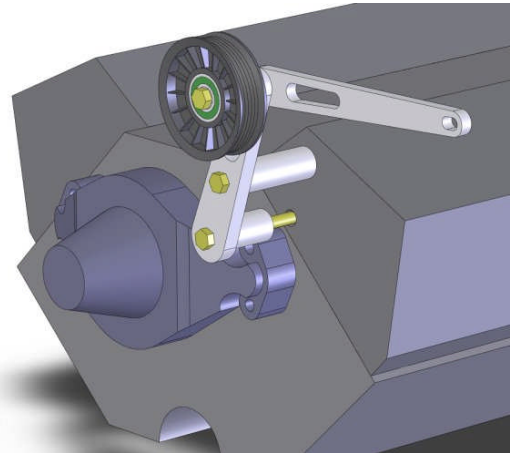




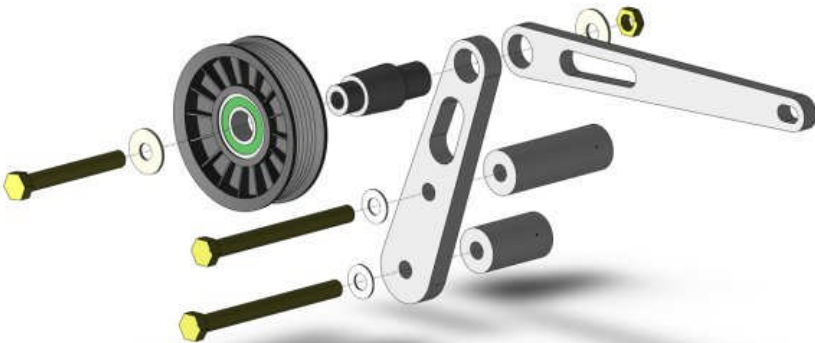
## 4.ACC359 Air Pump Delete Kit

### Parts List

- Lower Bracket
- Upper Bracket
- Pulley
- Pulley Spindle
- Upper (Long) Spacer
- Lower (Short) Spacer
- (2) 4" 3/8 Bolts
- (1) 3-1/4" 3/8 Bolt
- 3/8 Nylock Nut
- (2) Big Washers
- (2) Small Washers



1. Remove serpentine belt.
2. Remove factory air pump and bracket.
3. Install lower bracket to head using 4" bolts and small washers with short spacer on bottom next to water pump. Spacers fit into the pockets on the back of the bracket.
4. Using the 3-1/4" bolt with the big washers and Nylock nut, install the pulley to the spindle and through both brackets. Leave bolt loose for now. (The TPiS logo faces towards the drivers seat)
5. Attach other end of upper bracket to the top of the alternator. Tighten all bolts.
6. Re-install serpentine belt. 85-87 Corvettes may require approx. a 2" shorter belt.



---

TPiS, Inc.  
4255 Creek Rd. Chaska, MN 55318  
(952) 448-6021 Fax (952) 448-7230  
[www.tpis.com](http://www.tpis.com)